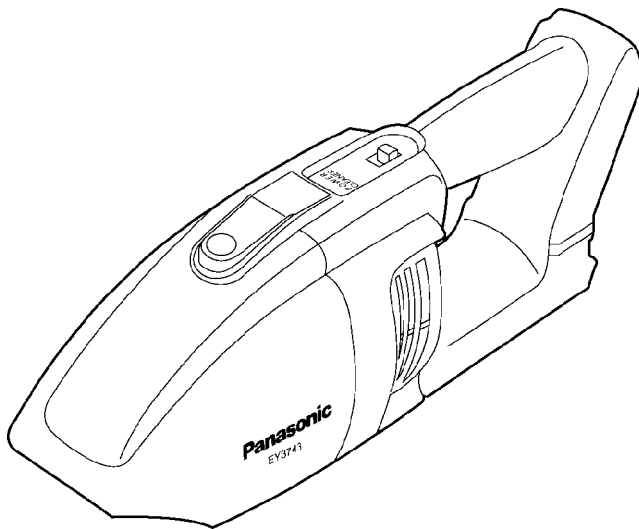


# Service Manual

Vacuum Cleaner

Model No. **EY3743**

Europe



## ⚠ WARNING

This service information is designed for experienced repair technicians only and is not designed for use by the general public. It does not contain warnings or cautions to advise non-technical individuals of potential dangers in attempting to service a product. Products powered by electricity should be serviced or repaired only by experienced professional technicians. Any attempt to service or repair the product or products dealt with in this service information by anyone else could result in serious injury or death.

## IMPORTANT SAFETY NOTICE

There are special components used in this equipment which are important for safety. These parts are marked by ⚠ in the Schematic Diagrams, Circuit Board Diagrams, Exploded Views and Replacement Parts List. It is essential that these critical parts should be replaced with manufacturer's specified parts to prevent shock, fire or other hazards. Do not modify the original design without permission of manufacturer.

## TABLE OF CONTENTS

	PAGE	PAGE
1 Warning.....	2	
2 Specifications .....	2	
3 Troubleshooting Guide.....	3	
4 Disassembly and Assembly Instructions .....	6	
5 Wiring Connection Diagram .....	12	
6 Schematic Diagram.....	12	
7 Exploded View and Replacement Parts List .....	13	

# 1 Warning

## Caution:

- Pb free solder has a higher melting point than standard solder; Typically the melting point is 50 - 70°F (30 - 40°C) higher. Please use a soldering iron with temperature control and adjust it to 750 ± 20°F (400 ± 10°C). In case of using high temperature soldering iron, please be careful not to heat too long.
- Pb free solder will tend to splash when heated too high (about 1100°F / 600°C).

# 2 Specifications

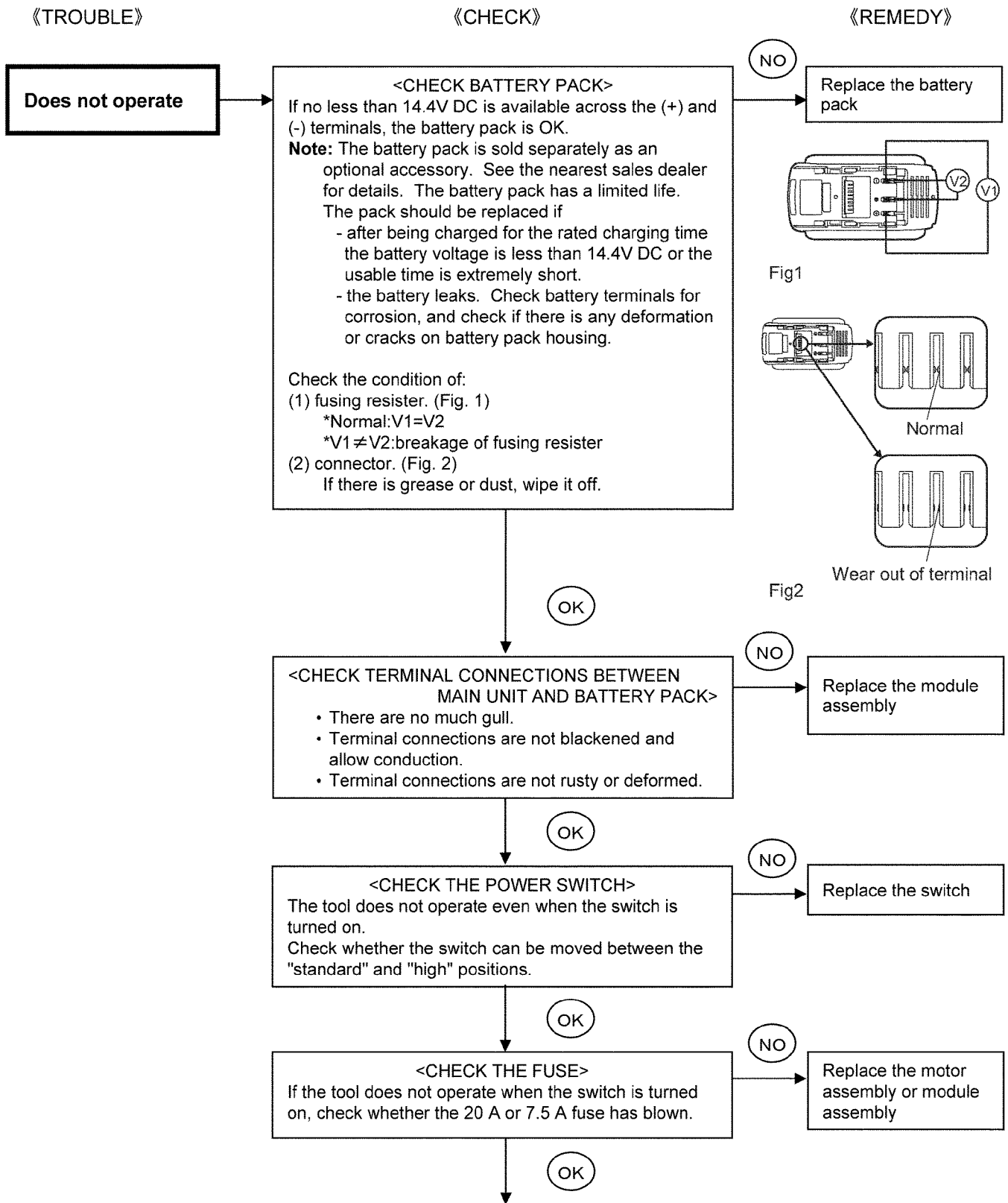
## Main Unit

Model No.	EY3743			
Capacity with a dust cup	180 ml			
Voltage	DC14.4 V			
Size	366 mm x 143 mm x 107 mm (14-11/16" x 5-1/4" x 4-3/32" )			
Weight	950 g			
Battery packs	Li-ion battery pack			
	EY9L41	EY9L42	EY9L44	EY9L45
Battery voltage	14.4 V DC			
	3.6 V x 4 cells		3.6 V x 8 cells	
Noise, Vibration	Typical Noise Emission Values according to EN 60335; Sound Pressure Level (L <sub>pA</sub> ): 71.62 dB (A) Uncertainty (K): 2 dB (A) Typical Vibration according to EN 60335: 1.57 m/s <sup>2</sup>			

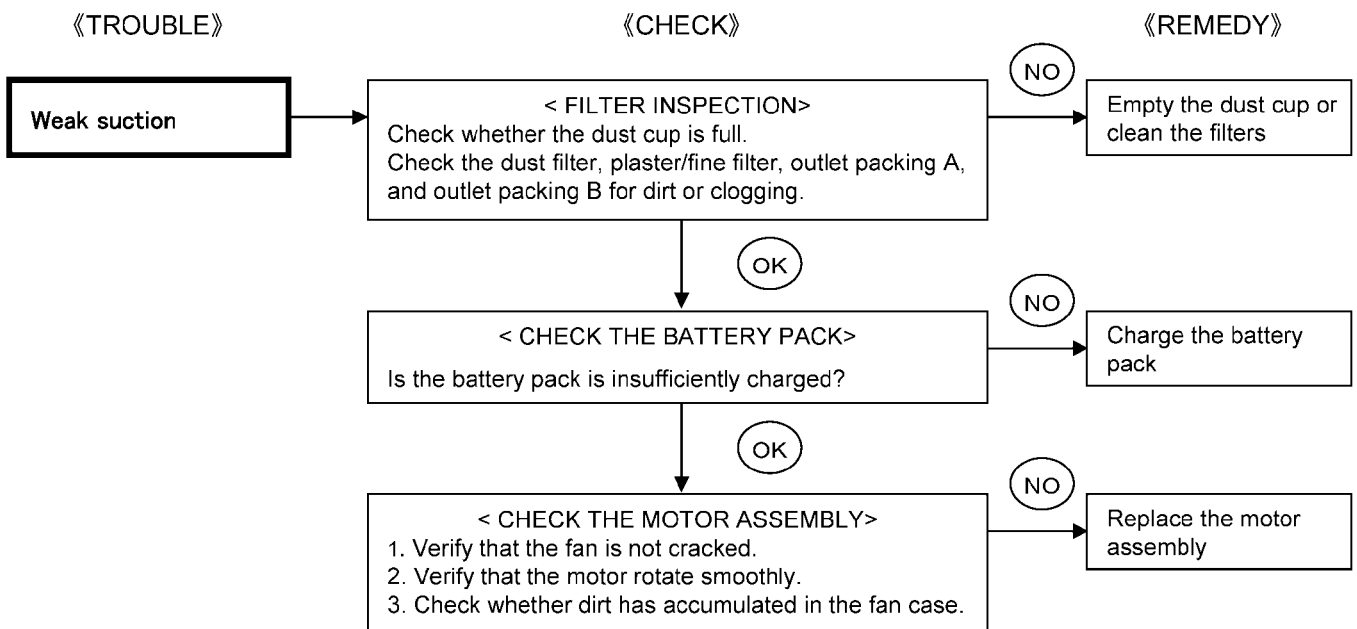
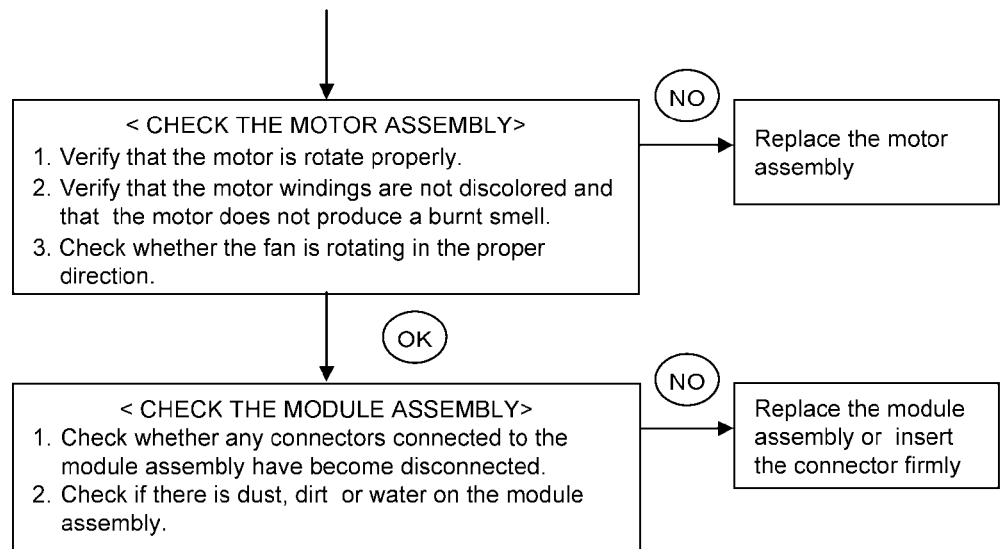
**NOTE :** This chart may include models that are not available in your area.  
 Please refer to the latest general catalogue.  
 For the dealer name and address, please see the included warranty card.

# 3 Troubleshooting Guide

## 3.1. Troubleshooting Guide (Refer to Wiring Connection Diagram)



Next page



## **3.2. Trial Operation (after checking Troubleshooting Guide)**

### **3.2.1. Assembly**

- Confirm if there is no gap between housing A and B by pinching lead wires.
- Are the battery terminals on the tool bent out of shape, or are they dirty?
- Is the switch plate securely inserted into the groove on the housing?

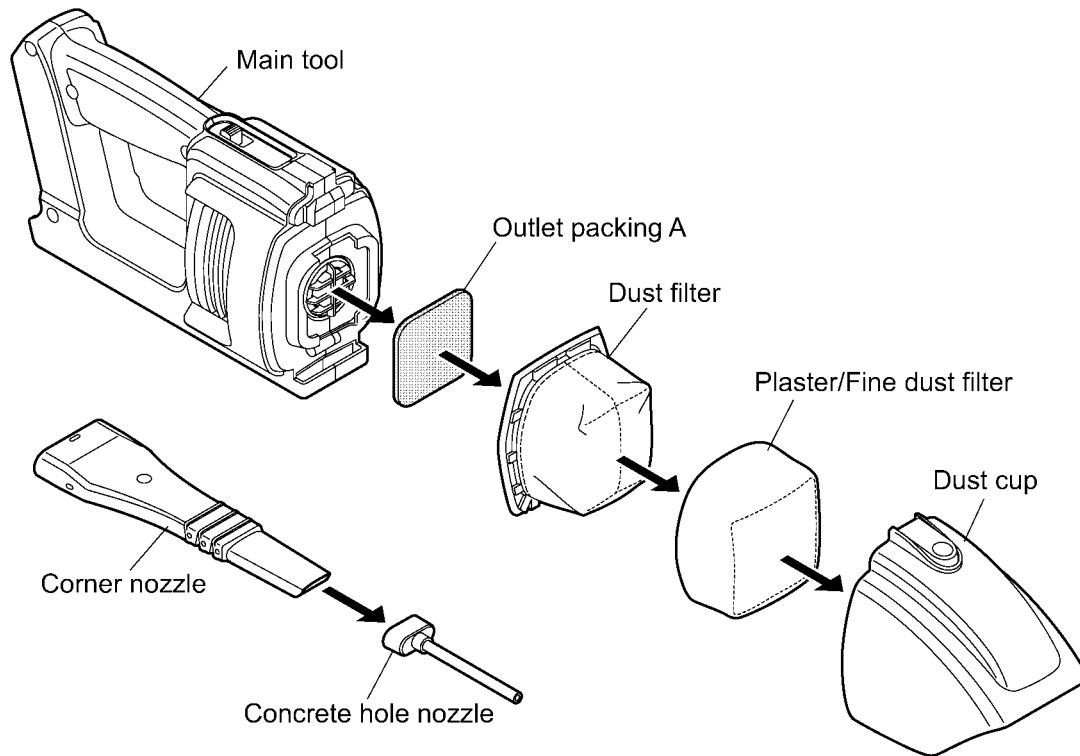
### **3.2.2. Integrity**

- Check whether the switch can be moved between the "1" and "2" positions.
- Check whether the dust cup suction is normal (Check whether a 1/2" ball bearing (approx. 8 g) can be picked up).
- Check whether the dust cup can be detached and reattached smoothly.
- Check for any abnormal sounds during tool operation.
- With the switch activated, shake the tool back and forth and up and down and verify that its sound does not change excessively.
- Check for the presence of any dirt or foreign matter from the repair process on the outside of the tool.
- Check whether the tool may become hot in a short operation.

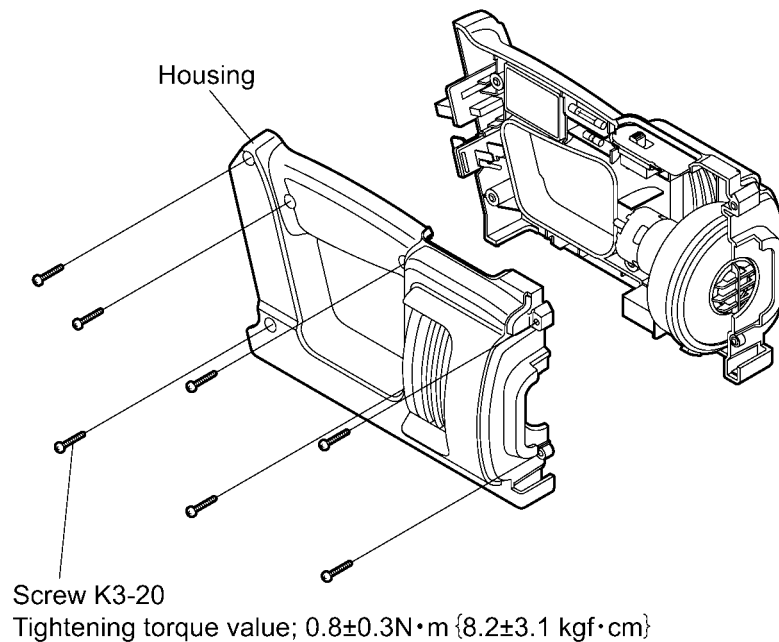
## 4 Disassembly and Assembly Instructions

\*To assemble the tool, start with 4-9 and proceed to 4-1

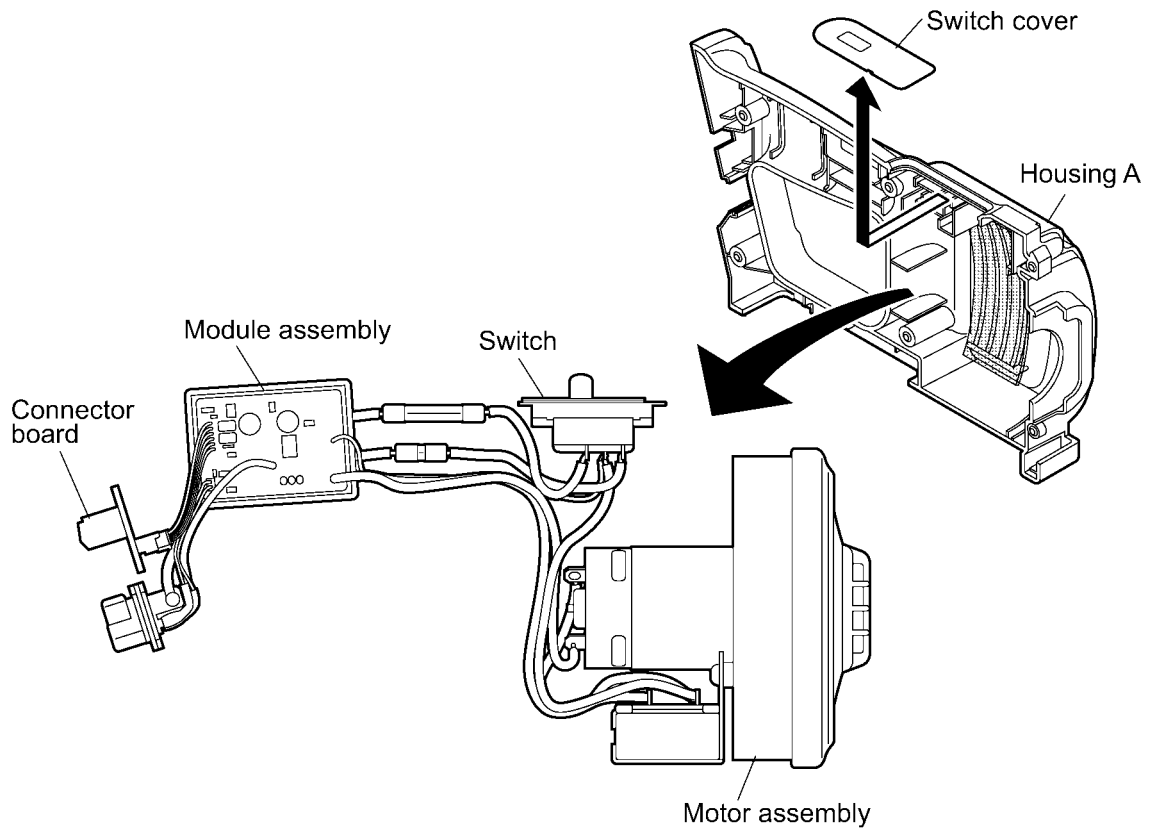
### 4.1. Removing the Exterior components



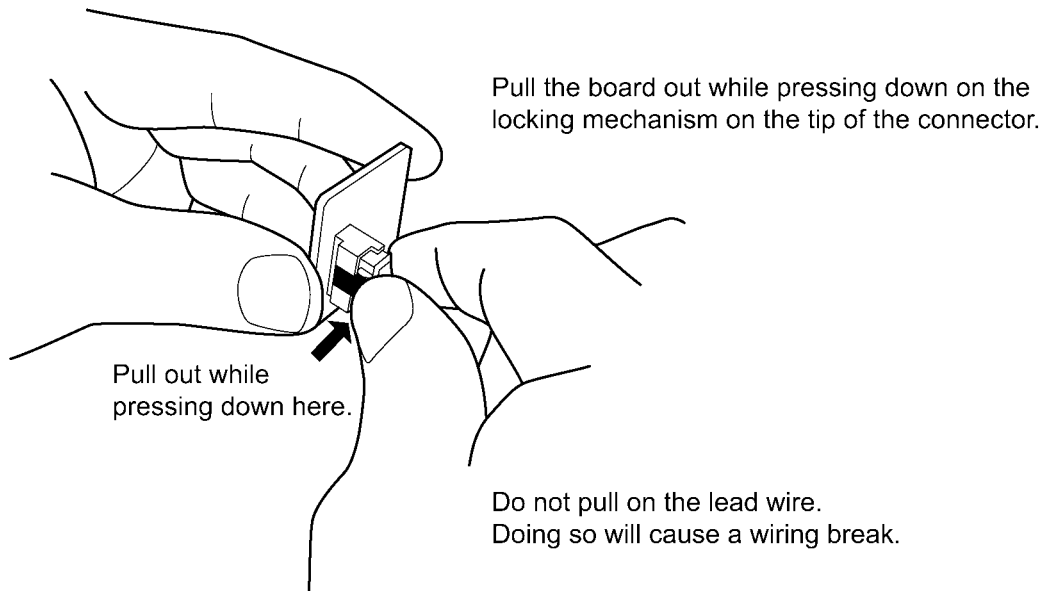
### 4.2. Removing the Housing



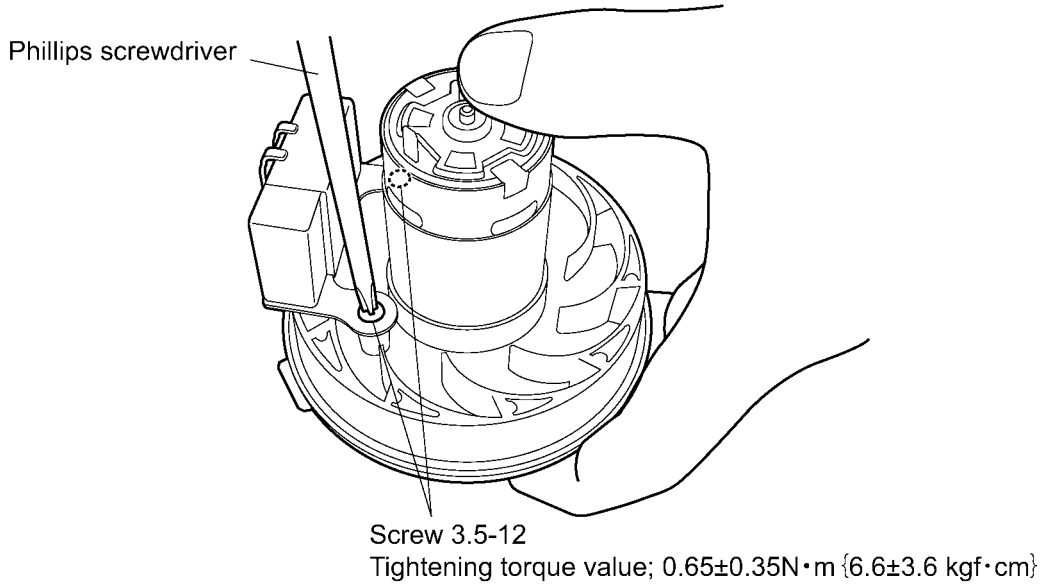
### 4.3. Removing the Motor assembly and Module assembly from the Housing



### 4.4. Removing the Connector board



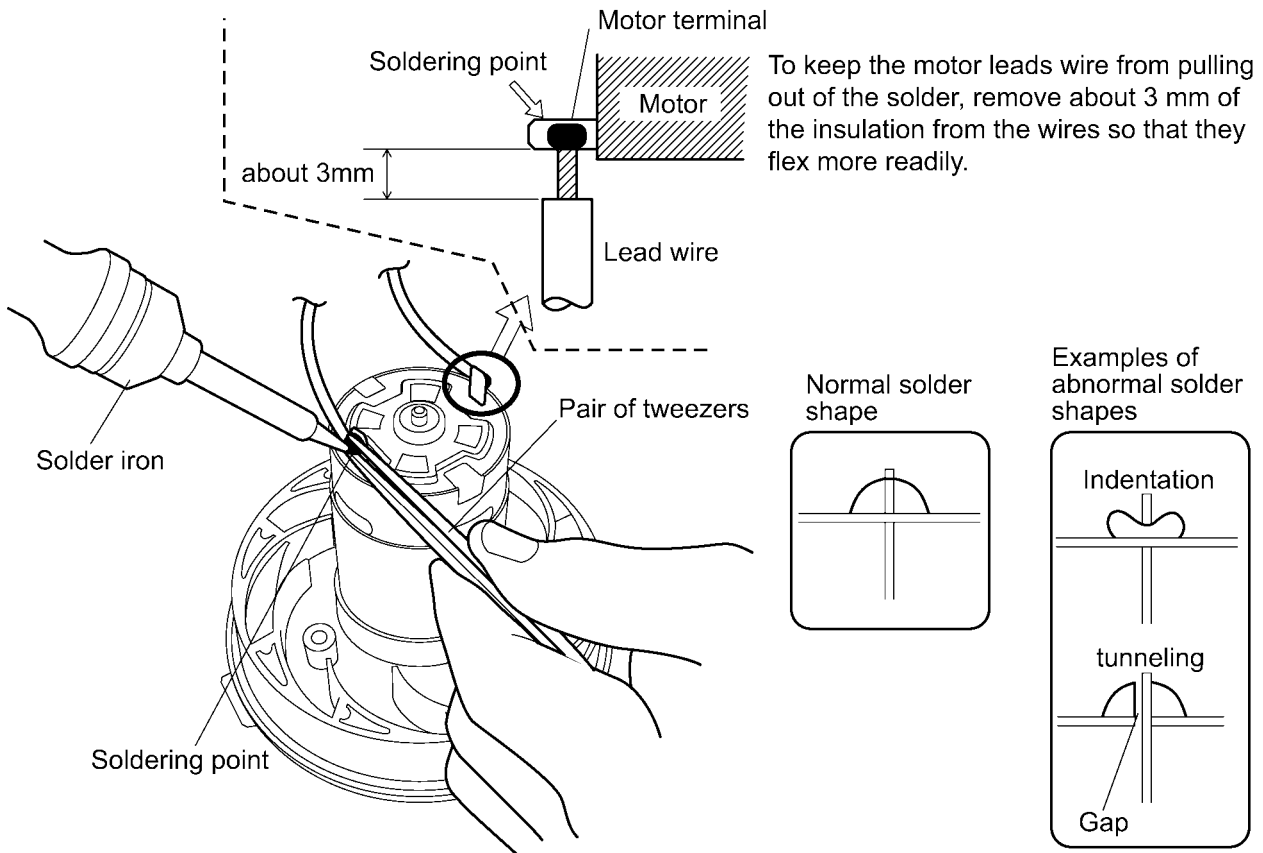
## 4.5. Removing the Cement resistor



## 4.6. Removing Solder Connections

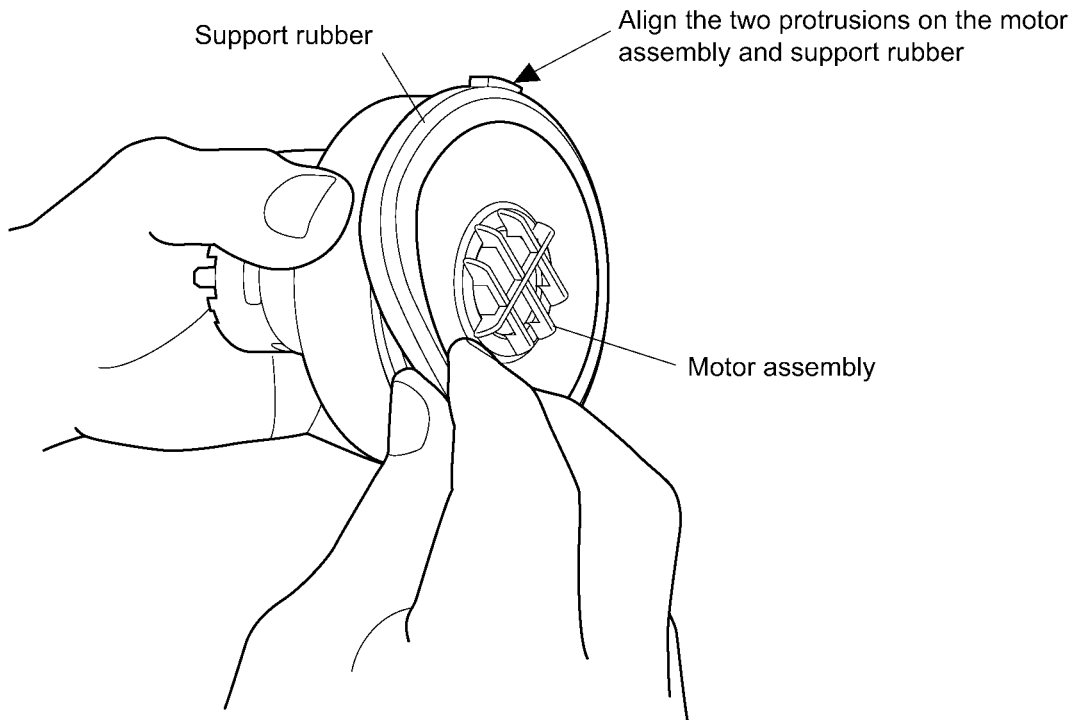
### Instructions for removing solder

- Grasp the soldered tip of the lead wire you wish to remove with a pair of tweezers and apply heat with the solder iron, taking up excess heat the tweezers.
- Exercise care so that the solder iron does not come into contact with anything other than the solder.
- Ensure that the solder is properly formed, without any surface indentation or tunneling.





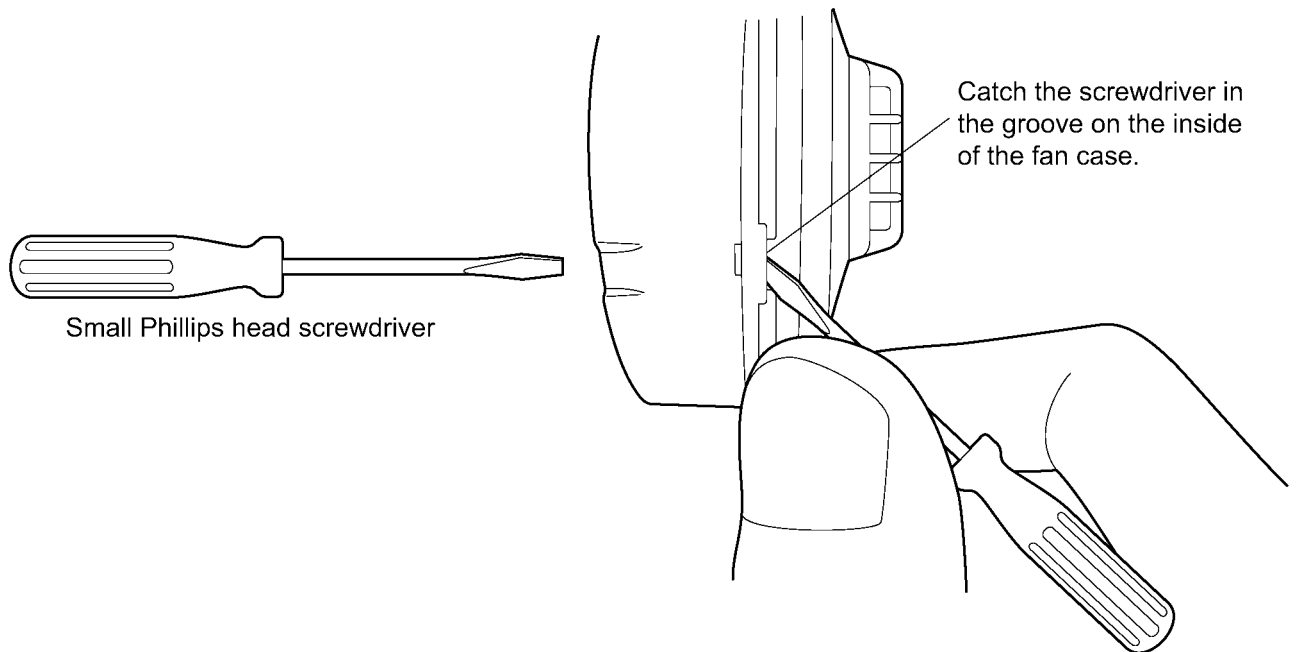
## 4.7. Removing the Support rubber



## 4.8. Removing the Fan case

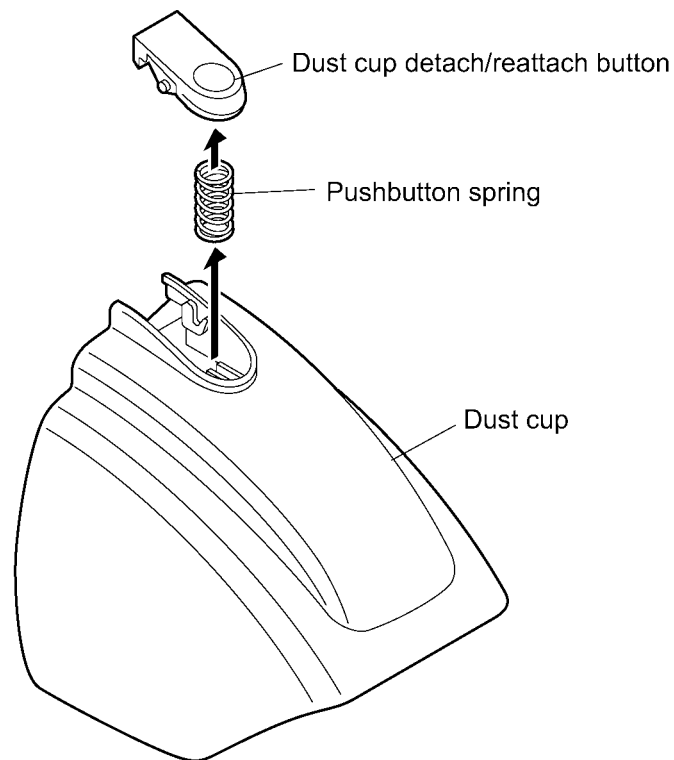
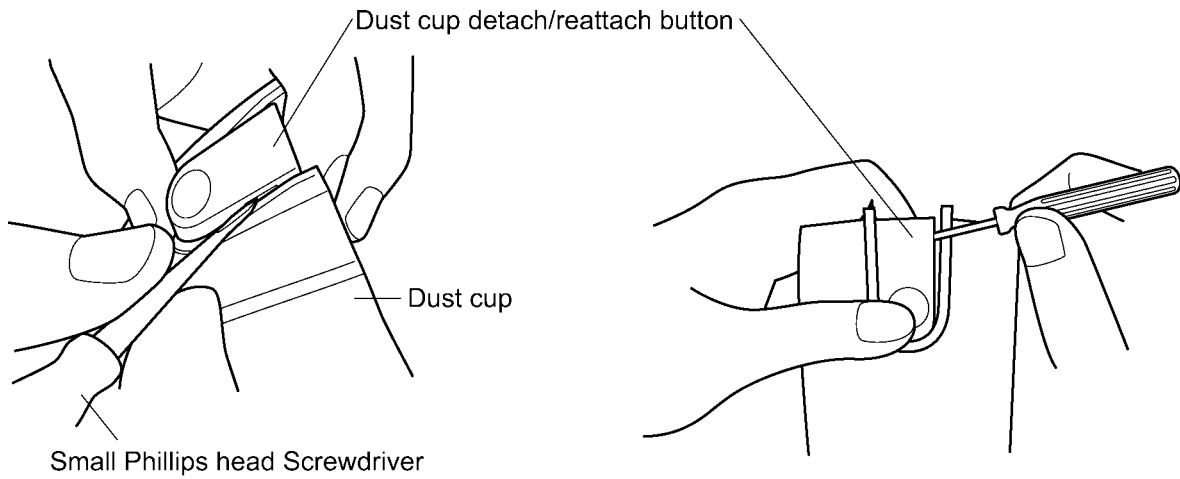
Remove the fan case by inserting a small Phillips head screwdriver or similar implement into the gap in each of the three catches that hold it on.

\*Exercise care not to damage the fan case while removing it.

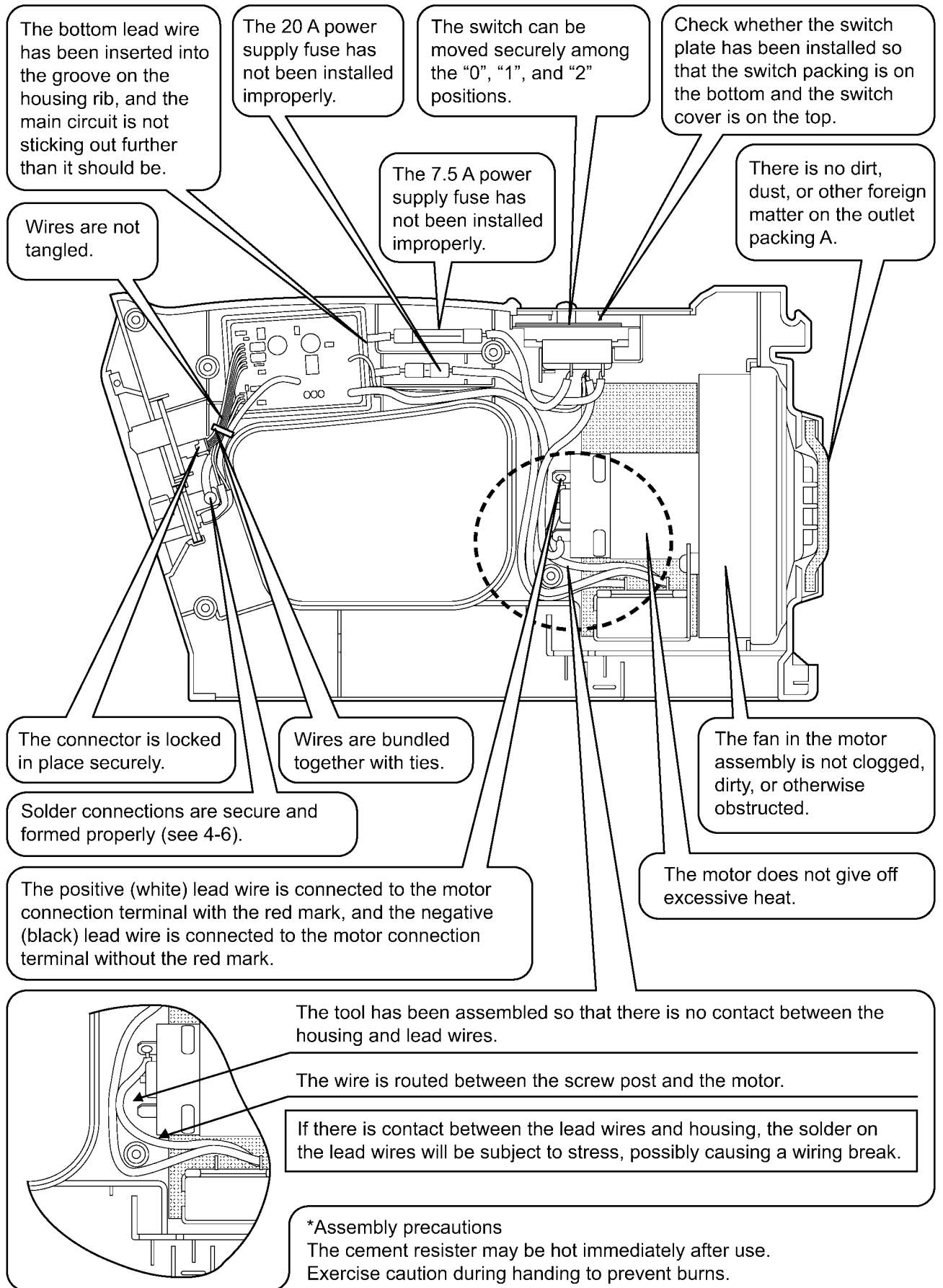


## 4.9. Removing the Dust cup detach/reattach button

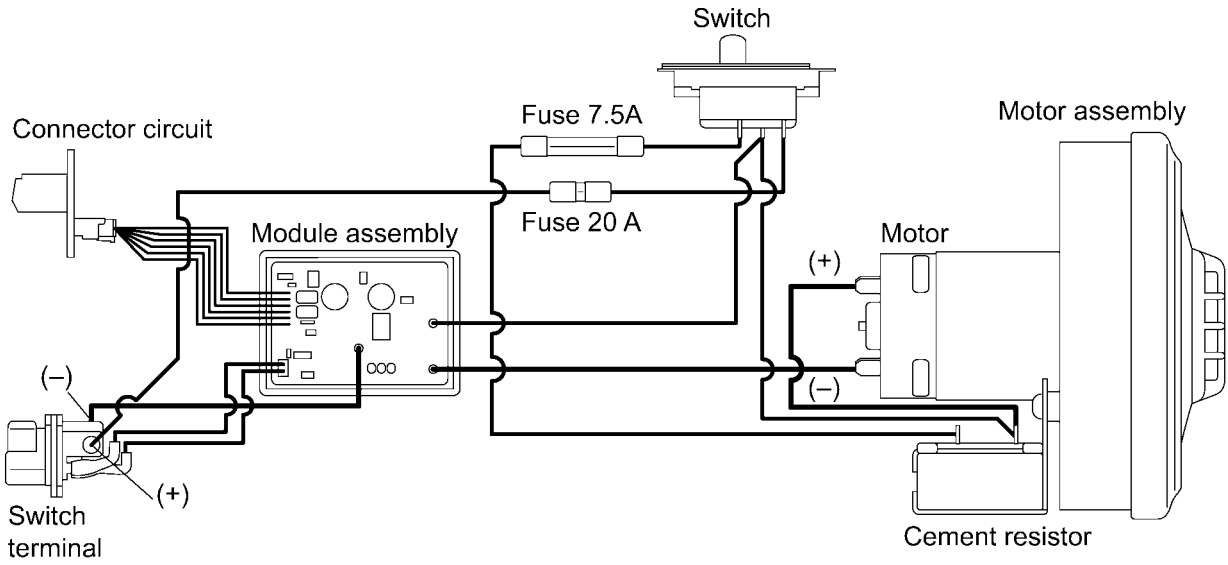
Insert a small Phillips head screwdriver between the dust cup and the detach/reattach button, increase the amount of space between the button and the dust cup, and lift up the button to remove it.



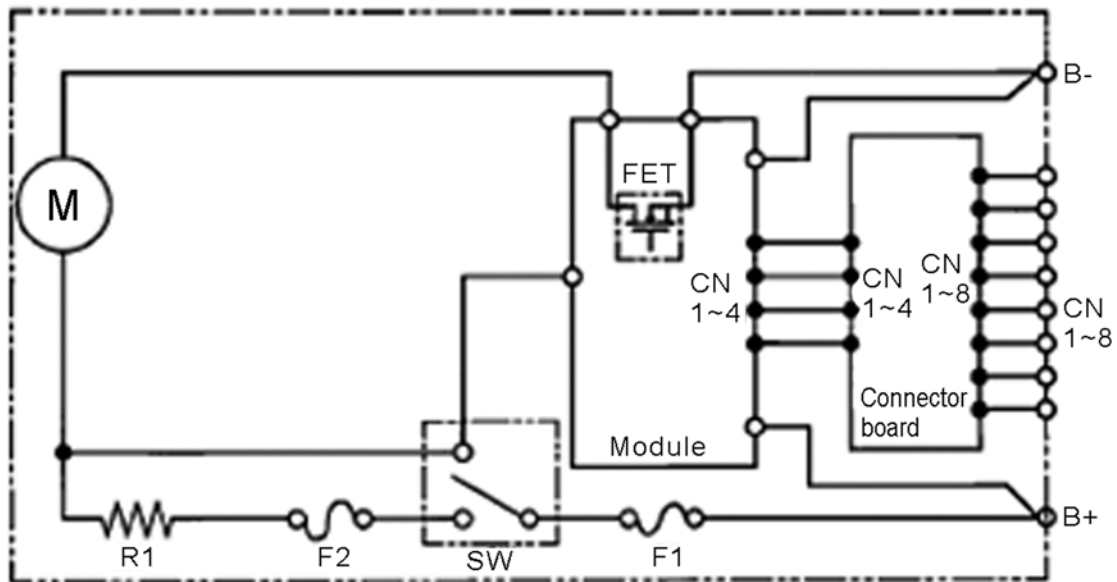
## 4.10. Wiring and Assembly Points



## 5 Wiring Connection Diagram



## 6 Schematic Diagram





## Model No. : EY3743 Parts List

Change	Safety	Ref.No.	Part No.	Part Name & Description	Q'ty	Remarks
		1	WEY3743K3078	HOUSING AB SET	1	
		2	WEY3743L0147	OUTLET PACKING B	2	(2PCS/PK)
		3	WEY3780R2008	SWITCH	1	
		4	WEY3780L0228	SWITCH PLATE SET	1	
		5	WEY3743L2117	MODULE ASSEMBLY	1	
		6	WEY3743L9217	TAPPING SCREW	2	(3.5*12), (5PCS/PK)
		7	WEY3743L2157	CONNECTOR BOARD	1	
		8	WEY3743L4058	MOTOR ASSEMBLY	1	
		9	WEY3780L0517	FAN CASE	1	
		10	WEY3780L0317	SUPPORT RUBBER	1	
		11	WEY3780L0127	DUST FILTER	1	
		12	WEY3780L0157	PLASTER/FINE DUST FILTER	1	
		13	WEY3780S3337	SWITCH PLATE	1	
		14	WEY3780L0137	OUTLET PACKING A	1	
		15	WEY3743K3498	DUST CUP	1	
		16	WEY3780K3597	DUST CUP DETACH /REATTACH BUTTON	1	
		17	WEY3780L0177	PUSHBUTTON SPRING	1	
		18	WEY3780L4077	CHECK VALVE	1	
		19	WEY3780L0208	CHECK VALVE BRACE	1	
		20	WEY3743K9218	TAPPING SCREW	7	(K3-20), (7PCS/PK)
		21	WEY3780K7577	CORNER NOZZLE	1	
		22	WEY3780K7587	CONCRETE HOLE NOZZLE	1	
		23	WEY3780K7567	CREVICE TOOL	1	
		24	WEY3780K7617	FLOOR BRUSH	1	
		-	WEY3743K8108	OPERATING INSTRUCTIONS	1	