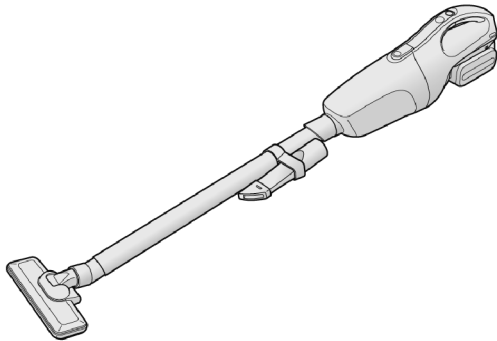


# Service Manual

**Cordless Vacuum Cleaner**

**Model No. EY37A3**

Europe  
Oceania



## **⚠ WARNING**

This service information is designed for experienced repair technicians only and is not designed for use by the general public. It does not contain warnings or cautions to advise non-technical individuals of potential dangers in attempting to service a product. Products powered by electricity should be serviced or repaired only by experienced professional technicians. Any attempt to service or repair the product or products dealt with in this service information by anyone else could result in serious injury or death.

## **IMPORTANT SAFETY NOTICE**

There are special components used in this equipment which are important for safety. These parts are marked by ⚠ in the Schematic Diagrams, Circuit Board Diagrams, Exploded Views and Replacement Parts List. It is essential that these critical parts should be replaced with manufacturer's specified parts to prevent shock, fire or other hazards. Do not modify the original design without permission of manufacturer.

## **TABLE OF CONTENTS**

	PAGE	PAGE
1 Warning-----	2	
2 Specifications -----	2	
3 Troubleshooting Guide-----	3	
4 Disassembly and Assembly Instructions -----	5	
5 Exploded View and Replacement Parts List -----	7	

# 1 Warning

## Caution:

- Pb free solder has a higher melting point than standard solder; Typically the melting point is 50 - 70°F (30 - 40°C) higher. Please use a soldering iron with temperature control and adjust it to 750 ± 20°F (400 ± 10°C). In case of using high temperature soldering iron, please be careful not to heat too long.
- Pb free solder will tend to splash when heated too high (about 1100°F / 600°C).

# 2 Specifications

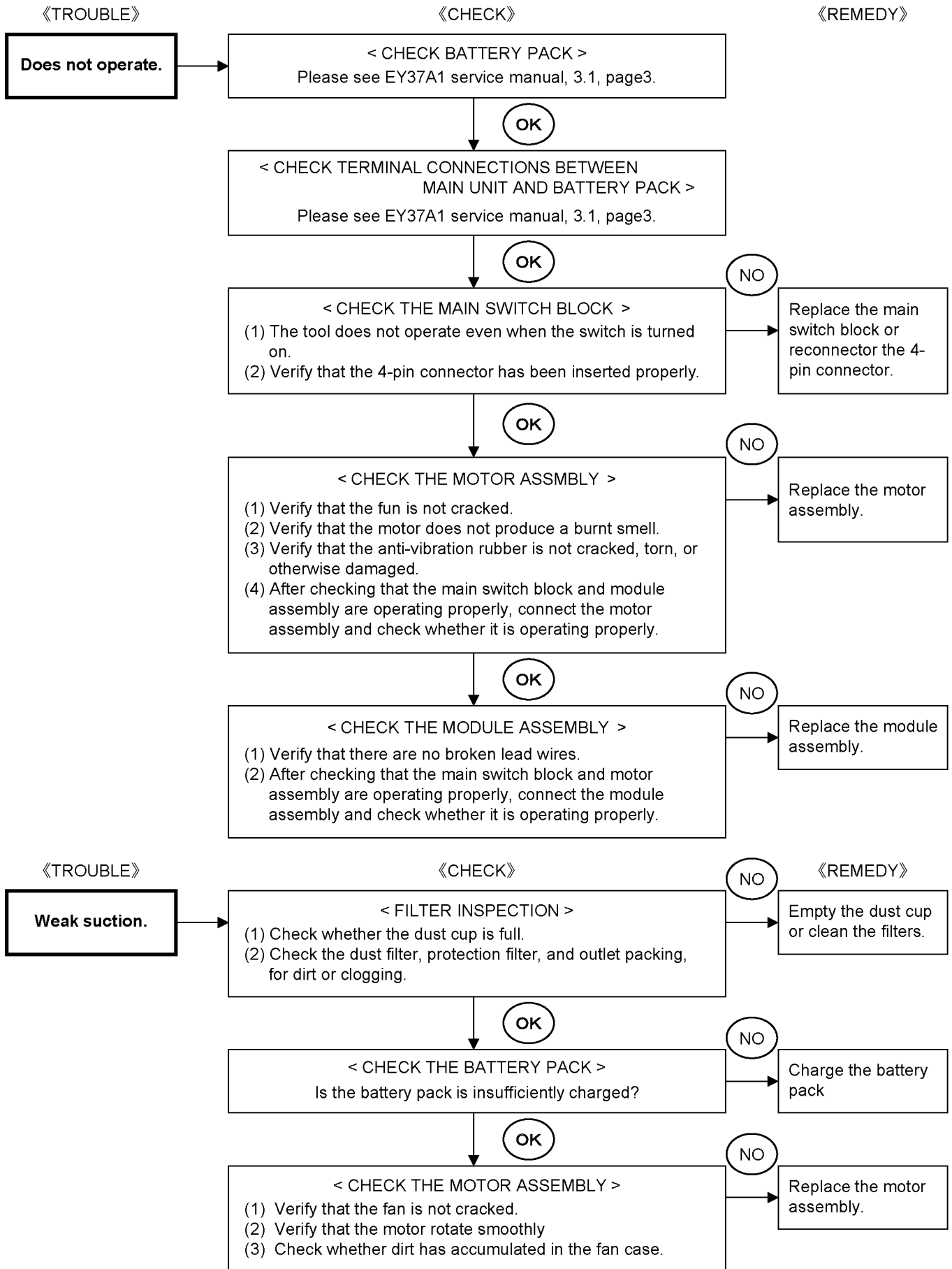
Model no.	EY37A3					
Capacity with a dust cup	650 ml					
Voltage	DC 14.4 V			DC 18 V		
Size	452 mm × 124 mm × 160 mm (main unit only)					
Weight	0.89 kg (main unit only)					
Battery packs	Li-ion battery pack					
	EY9L45	EY9L47	EY9L51	EY9L52	EY9L53	EY9L54

## NOTE:

This chart may include models that are not available in your area.  
Please refer to the latest general catalogue.

# 3 Troubleshooting Guide

## 3.1. Troubleshooting Guide



## **3.2. Trial Operation (after checking Troubleshooting Guide).**

### **3.2.1. Assembly**

- Confirm if there is no gap between housing A and B by pinching lead wires.
- There is no dust or deformation on battery terminals.

### **3.2.2. Operation**

- Check whether the switch can be moved between the “ HIGH “ and “ LOW “ positions.
- Press the switch OFF button and verify that the unit powers off.
- Check for any abnormal sounds during tool operation.
- Check whether the dust cup can be detached and reattached smoothly.
- Check whether the dust cup suction is normal (Check whether a 1/2” ball bearing (approx. 8 g) can be picked up).

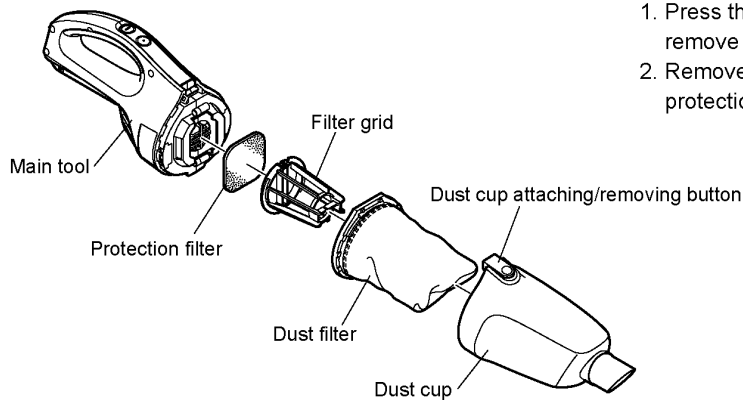
### **3.2.3. Integrity**

- There should be no abnormal sound when shaking the unit.
- confirm if there is no dirt when repairing.

## 4 Disassembly and Assembly Instructions

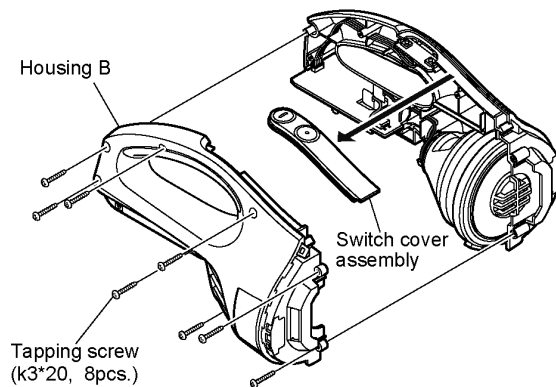
\* To assemble the tool, start with 4-6 and proceed to 4-1.

### 4.1. Removing the Exterior components.



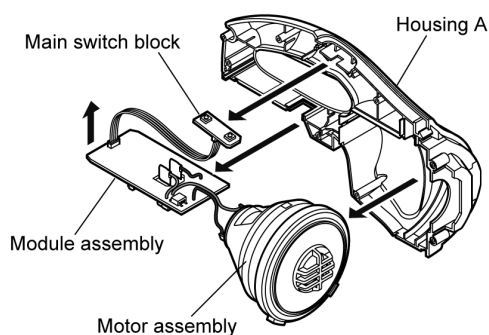
1. Press the dust cup attaching/removing button and remove the dust cup.
2. Remove the dust filter, and remove the filter grid and the protection filter.

### 4.2. Removing the Housing.



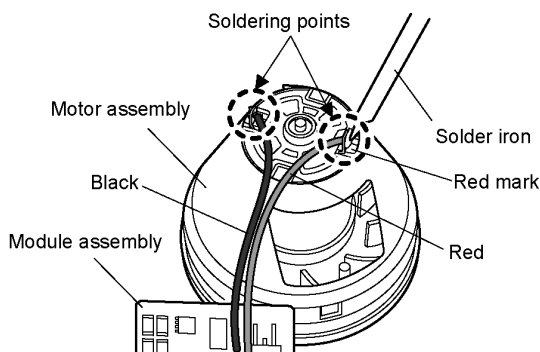
1. Remove 8 housing tapping screws and remove the housing B and the switch cover assembly.

### 4.3. Removing the Motor assembly and Module assembly.



1. Remove the motor assembly, module assembly and main switch block from the housing A.
2. Disconnect the main switch block's 4-pin connector.

### 4.4. Removing Solder Connections.

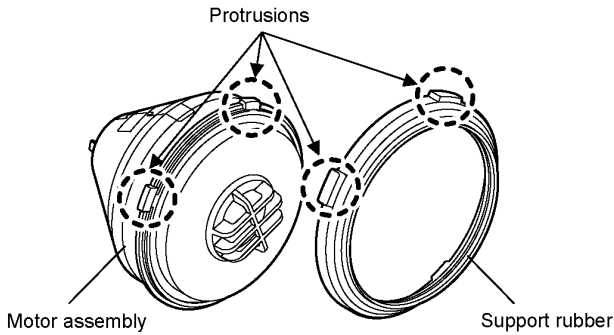


1. Remove the two soldered module assembly lead wires to the motor assembly terminals.

NOTE: (When assembling)

Solder the lead wires(red/black) to the motor assembly terminals as shown in the figure to the left.

## 4.5. Removing the Support rubber.

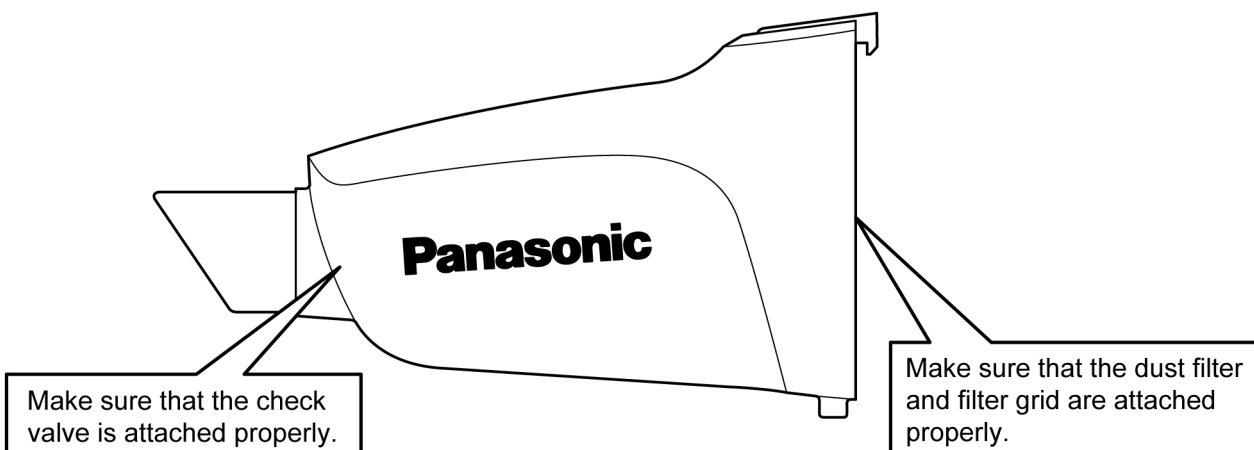
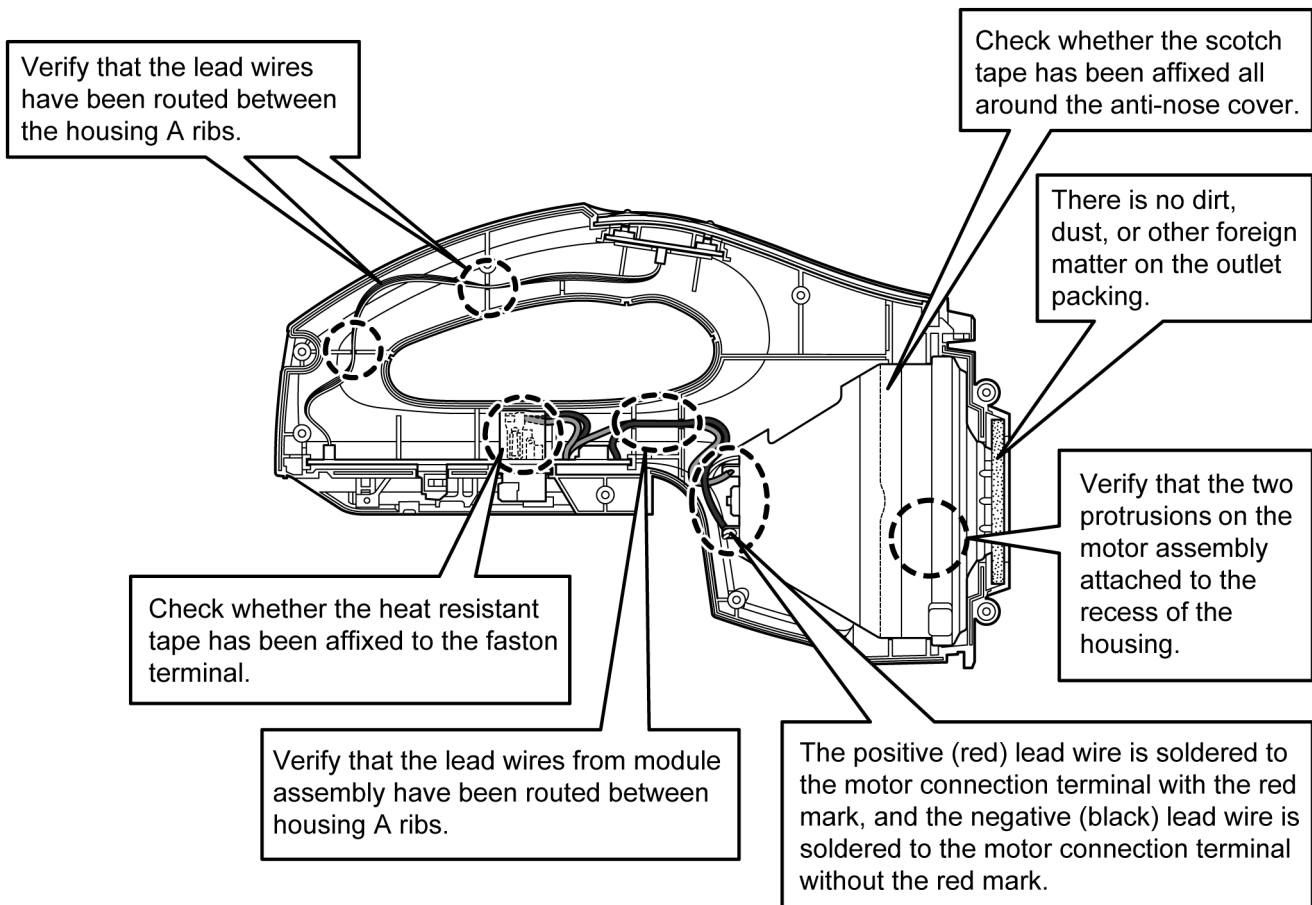


1. Remove the support rubber from the motor assembly.

NOTE: (When assembling)

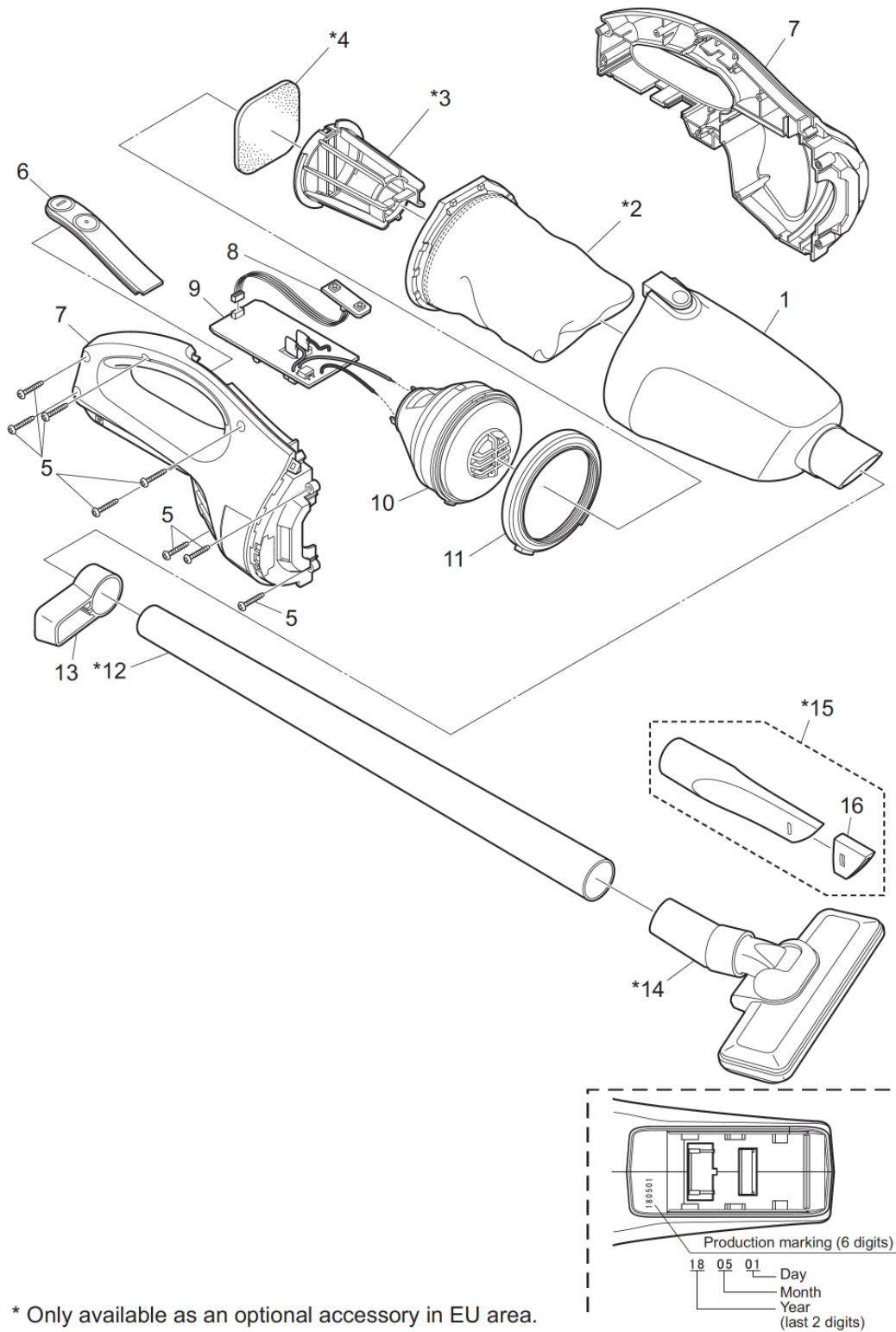
Align the four protrusions on the motor assembly and support rubber.

## 4.6. Wiring and Assembly Points.



# 5 Exploded View and Replacement Parts List

Model No. : EY37A3 Exploded View



\* Only available as an optional accessory in EU area.

## Model No. : EY37A3 Parts List

Change	Safety	Ref. No.	Part No.	Part Name & Description	Q'ty	Remarks
		1	WEY37A3K3497	DUST CUP ASSEMBLY	1	
		2	WEY37A3L0247	DUST FILTER	1	* Only available as an optional accessory in EU area.
		3	WEY37A3W3037	FILTER GRID	1	* Only available as an optional accessory in EU area.
		4	WEY3780L0138	PROTECTION FILTER	1	* Only available as an optional accessory in EU area.
		5	WEY508B9617	TAPPING SCREW	8	(K3* 20)
		6	WEY37A3K3167	SWITCH COVER ASSEMBLY	1	
		7	WEY37A3K3078	HOUSING AB SET	1	(For Europe)
		7	WEY37A3K3079	HOUSING AB SET	1	(For Oceania)
		8	WEY37A3L2147	MAIN SWITCH BLOCK	1	
		9	WEY37A3L2107	MODULE ASSEMBLY	1	
		10	WEY37A3L1008	MOTOR ASSEMBLY	1	
		11	WEY3780L0317	SUPPORT RUBBER	1	
		12	WEY37A3K7307	EXTENSION PIPE	1	* Only available as an optional accessory in EU area.
		13	WEY37A3K3847	HOLDER FOR CREVICE NOZZLE	1	
		14	WEY3782K7617	FLOOR BRUSH	1	* Only available as an optional accessory in EU area.
		15	WEY37A3K7557	CREVICE NOZZLE	1	* Only available as an optional accessory in EU area.
		16	WEY37A3K3107	CUSHION RUBBER	1	
		-	WEY37A3L8108	OPERATING INSTRUCTIONS	1	